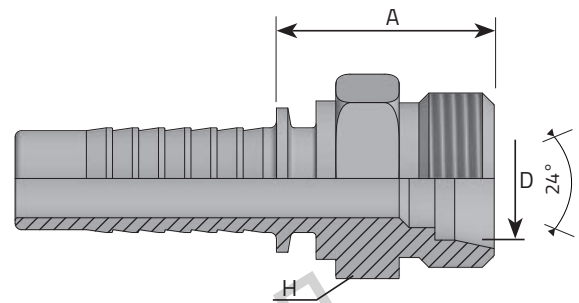




## METRIC MALE 24° CONE - L TYPE (1)

MASCHIO METRICO 24° DKOL  
 MÂLE MÉTRIQUE CÔNE 24° - SÉRIE L  
 CEL 24° KONUS METRISCH  
 MACHO MÉTRICO CONO 24° - SERIE L



| Code      | Tube |       | Thread |           | Dimensions |    |      | Pressure |      |
|-----------|------|-------|--------|-----------|------------|----|------|----------|------|
|           | D.N. | Hose  | Diam   | T         | D          | H  | A    | Bar      | Psi  |
|           | Inch |       | mm     | mm        | mm         | mm | mm   |          |      |
| ME0312L6  | -3   | 3/16" | 4.8    | M12 x 1.5 | 6          | 14 | 22.5 | 250      | 3626 |
| ME0314L8  | -3   | 3/16" | 4.8    | M14 x 1.5 | 8          | 15 | 23   | 250      | 3626 |
| ME0412L6  | -4   | 1/4"  | 6.4    | M12 x 1.5 | 6          | 14 | 23   | 250      | 3626 |
| ME0414L8  | -4   | 1/4"  | 6.4    | M14 x 1.5 | 8          | 15 | 23   | 250      | 3626 |
| ME0416L10 | -4   | 1/4"  | 6.4    | M16 x 1.5 | 10         | 17 | 25   | 250      | 3626 |
| ME0418L12 | -4   | 1/4"  | 6.4    | M18 x 1.5 | 12         | 19 | 26   | 250      | 3626 |
| ME0514L8  | -5   | 5/16" | 7.9    | M14 x 1.5 | 8          | 15 | 23   | 250      | 3626 |
| ME0516L10 | -5   | 5/16" | 7.9    | M16 x 1.5 | 10         | 17 | 25   | 250      | 3626 |
| ME0518L12 | -5   | 5/16" | 7.9    | M18 x 1.5 | 12         | 19 | 26   | 250      | 3626 |
| ME0616L10 | -6   | 3/8"  | 9.5    | M16 x 1.5 | 10         | 17 | 25   | 250      | 3626 |
| ME0618L12 | -6   | 3/8"  | 9.5    | M18 x 1.5 | 12         | 19 | 25   | 250      | 3626 |
| ME0622L15 | -6   | 3/8"  | 9.5    | M22 x 1.5 | 15         | 24 | 27   | 250      | 3626 |
| ME0818L12 | -8   | 1/2"  | 12.8   | M18 x 1.5 | 12         | 22 | 26   | 250      | 3626 |
| ME0822L15 | -8   | 1/2"  | 12.8   | M22 x 1.5 | 15         | 24 | 27.5 | 250      | 3626 |
| ME0826L18 | -8   | 1/2"  | 12.8   | M26 x 1.5 | 18         | 27 | 27.5 | 160      | 2320 |
| ME1026L18 | -10  | 5/8"  | 16     | M26 x 1.5 | 18         | 27 | 27.5 | 160      | 2320 |